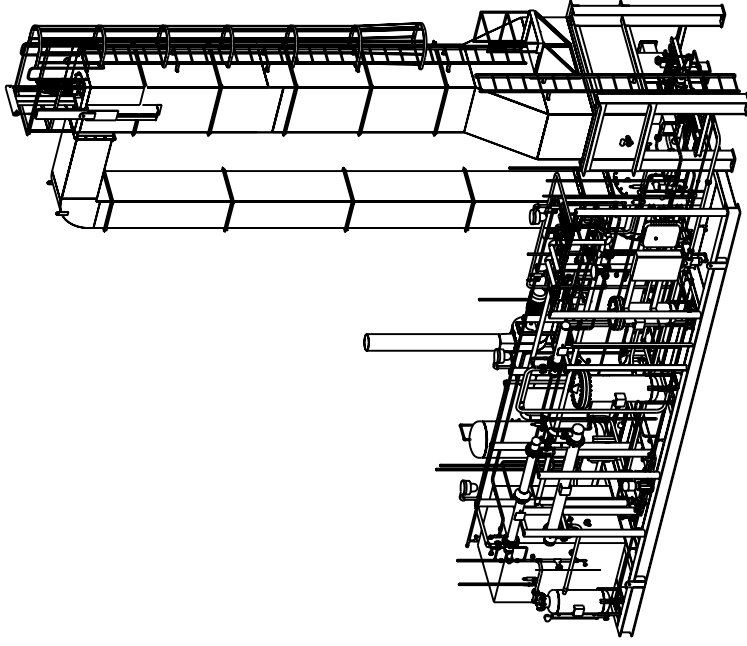


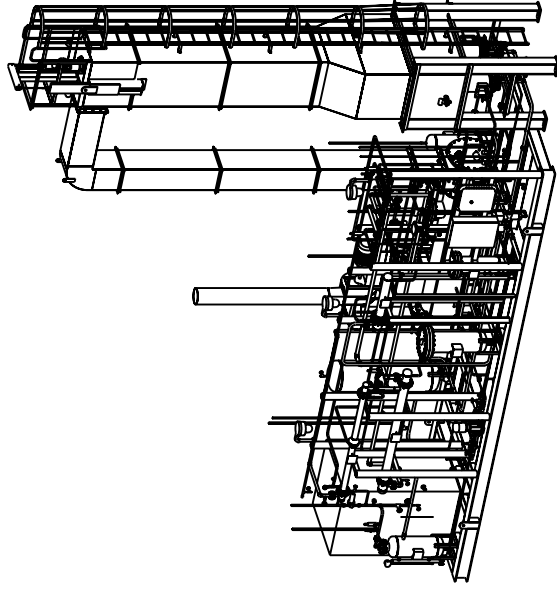
COTTING INDUSTRIES, INC.

406 Windmont Dr., NE
Atlanta, GA 30329
U.S.A.
404-321-0035 Phone
404-321-0064 Fax
www.cottinginc.com



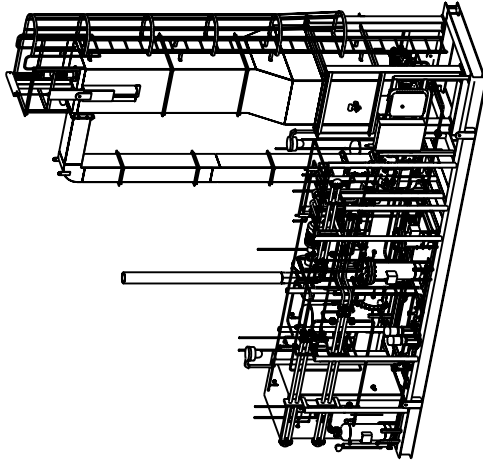
HYDRO-MINI® 15000

HYDROGEN CAPACITY: 15,000 SCFH
HYDROGEN PRESSURE: 200 PSIG
HYDROGEN PURITY: UP TO 99.999%
DIMENSIONS: 554" L x 153" W x 574" H
WEIGHT: 52,650 LBS



HYDRO-MINI® 7500

HYDROGEN CAPACITY: 7,500 SCFH
HYDROGEN PRESSURE: 200 PSIG
HYDROGEN PURITY: UP TO 99.999%
DIMENSIONS: 499" L x 126" W x 424" H
WEIGHT: 39,950 LBS



HYDRO-MINI® 3750

HYDROGEN CAPACITY: 3,750 SCFH
HYDROGEN PRESSURE: 200 PSIG
HYDROGEN PURITY: UP TO 99.999%
DIMENSIONS: 375" L x 105" W x 360" H
WEIGHT: 31,180 LBS